

Product Summary

V_R	650V
$I_{F(110/140^\circ C)}$	22.5A/15A
Q_C	33nC

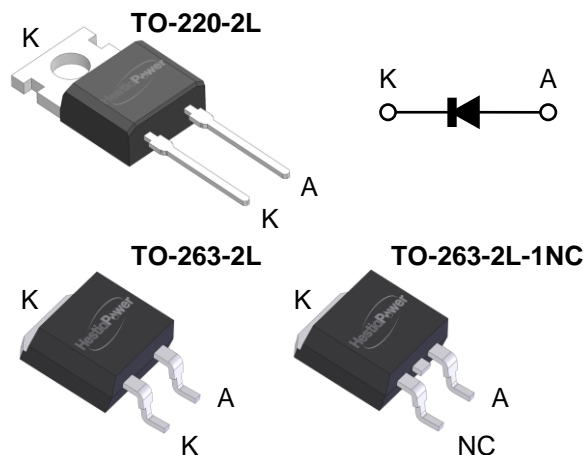


H3D065A015, H3D065T015, H3D065U015

Features

- Low Conduction and Switching Loss
- Zero Reverse Recovery
- Temperature Independent Switching Behavior
- Positive Temperature Coefficient Device
- High Surge Current Capability
- RoHS Compliant and Halogen Free
- Suitable for High Speed Application
- AEC-Q101 Qualified

Circuit Diagram



Part Number	Package	Marking
H3D065A015	TO-220-2L	H3D065A015
H3D065T015	TO-263-2L	H3D065T015
H3D065U015	TO-263-2L-1NC	H3D065U015

Benefits

- Higher System Efficiency
- Increase Parallel Device Convenience
- Enable High Temperature Application
- Allow High Frequency Operation
- Realize Compact and Lightweight Systems
- High Reliability

Applications

- Switching Mode Power Supply
- PFC
- UPS
- Motor Drives
- Flywheel diode in Power Inverters
- Solar/Wind Renewable Energy

Absolute Maximum Ratings ($T_c = 25^\circ C$ unless otherwise specified)

Parameter	Symbol	Test Conditions	Value	Unit
Peak Repetitive Reverse Voltage	V_{RRM}	$T_J = 25^\circ C$	650	V
Peak Reverse Surge Voltage	V_{RSM}	$T_J = 25^\circ C$	650	V
DC Blocking Voltage	V_R	$T_J = 25^\circ C$	650	V
Continuous Forward Current	I_F	$T_C = 25^\circ C$	36.5	A
		$T_C = 110^\circ C$	22.5	
		$T_C = 140^\circ C$	15	
Non-Repetitive Peak Forward Surge Current	I_{FSM}	$T_C = 25^\circ C, T_p = 10 \text{ ms, Half Sine Wave}$	102	A
		$T_C = 125^\circ C, T_p = 10 \text{ ms, Half Sine Wave}$	90	
		$T_C = 25^\circ C, T_p = 10 \mu s, \text{ Pulse}$	660	
Repetitive Peak Forward Surge Current	I_{FRM}	$T_C = 25^\circ C, T_p = 10 \text{ ms, Half Sine Wave, } D = 0.1$	77	A
		$T_C = 125^\circ C, T_p = 10 \text{ ms, Half Sine Wave, } D = 0.1$	69	
Power Dissipation	P_D	$T_C = 25^\circ C$	115	W
		$T_C = 125^\circ C$	38	
I^2t value	$\int i^2 dt$	$T_C = 25^\circ C, T_p = 10 \text{ ms}$	52	A^2s
Junction & Storage Temperature	T_J, T_{stg}		-55 to 175	$^\circ C$
Soldering Temperature	T_L		260	
Mounting Torque	M_D	M3 or 6-32 screw	1.0	Nm

Electrical Characteristics (T_c = 25°C unless otherwise specified)

Parameter	Symbol	Test Conditions	Min.	Typ.	Max.	Unit
DC Blocking Voltage	V _{DC}	I _R = 100 μA, T _J = 25°C	> 650			V
Forward Voltage	V _F	I _F = 15A, T _J = 25°C		1.45	1.8	V
		I _F = 15A, T _J = 175°C		1.7	2.0	V
Reverse Current	I _R	V _R = 650V, T _J = 25°C		2	100	μA
		V _R = 650V, T _J = 175°C		30	450	μA
Total Capacitive Charge	Q _C	I _F = 15A, dI/dt = 300A/μs, V _R = 400V, T _J = 25°C		33		nC
Total Capacitance	C _J	V _R = 1V, T _J = 25°C, f = 1 MHz		618		
		V _R = 300V, T _J = 25°C, f = 1 MHz		60		pF
		V _R = 600V, T _J = 25°C, f = 1 MHz		57		
Capacitance Stored Energy	E _C	V _R = 400V		6.5		μJ

Thermal Resistance

Parameter	Symbol	Min.	Typ.	Max.	Unit
Thermal Resistance, Junction to Case	R _{θJC}		1.3		°C/W

Naming Rule

H3 D 065 A 015

Generation

H3 = 3rd Gen Discrete

Device Type

S = JBS diode (High Power) D = JBS diode (High Speed)

Breakdown Voltage

065 = 650V 120 = 1200V 170 = 1700V

Package Type

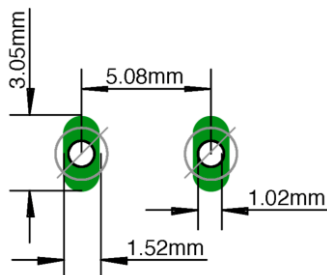
A = TO-220-2L T = TO-263-2L U = TO-263-2L-1NC

Typical Current Rating

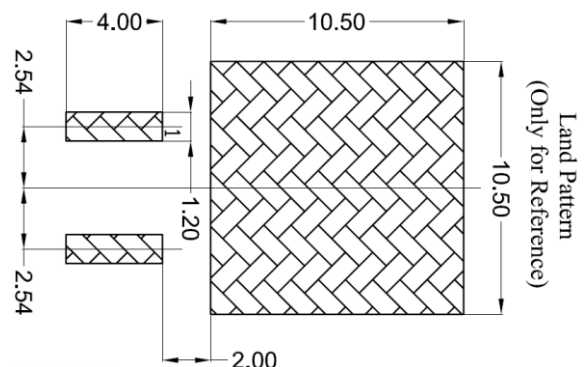
004 = 4A 006 = 6A 008 = 8A 010 = 10A 015 = 15A 020 = 20A

Recommended Solder Pad Layout

TO-220-2L



TO-263-2L, TO-263-2L-1NC



Land Pattern
(Only for Reference)

Typical Device Performance

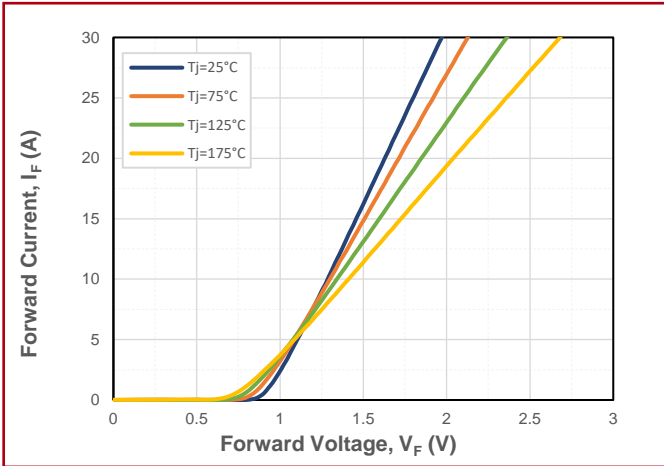


Fig.1 Forward Characteristics

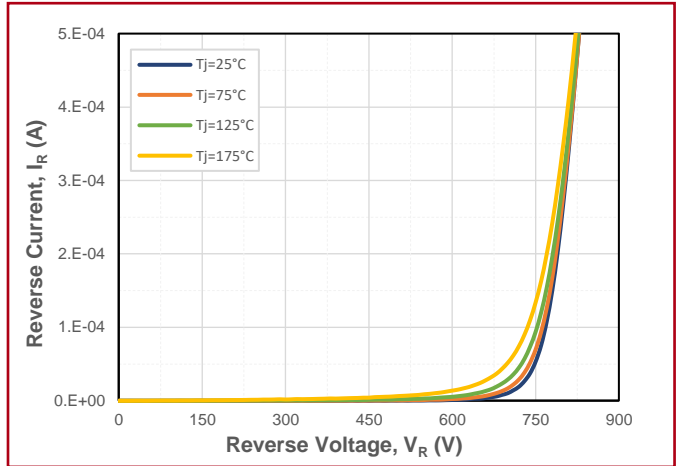


Fig.2 Reverse Characteristics

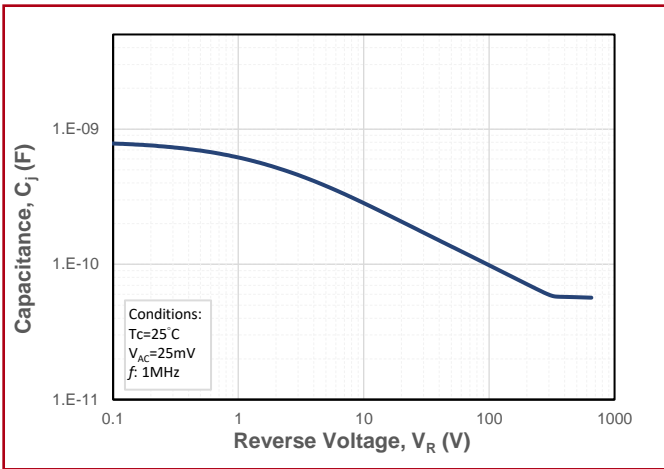


Fig.3 Junction Capacitance vs. Reverse Voltage

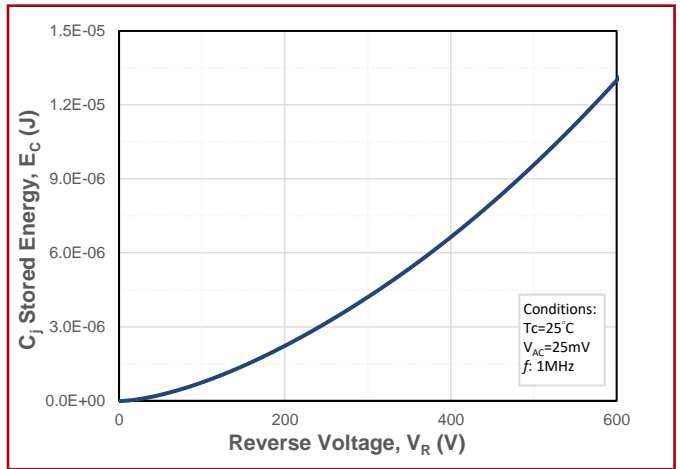


Fig.4 Capacitance Stored Energy

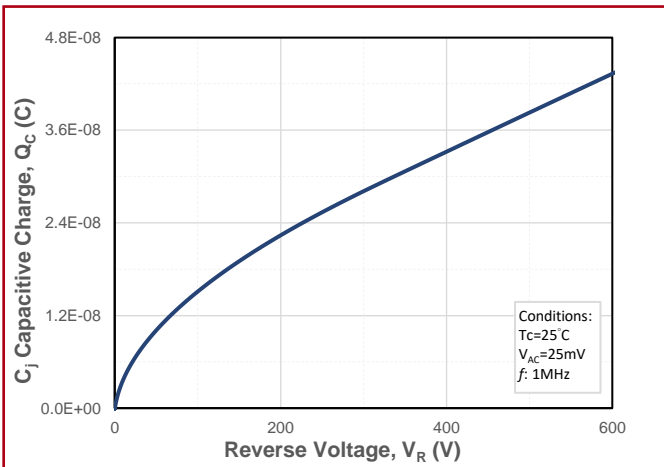


Fig.5 Recovery Charge vs. Reverse Voltage

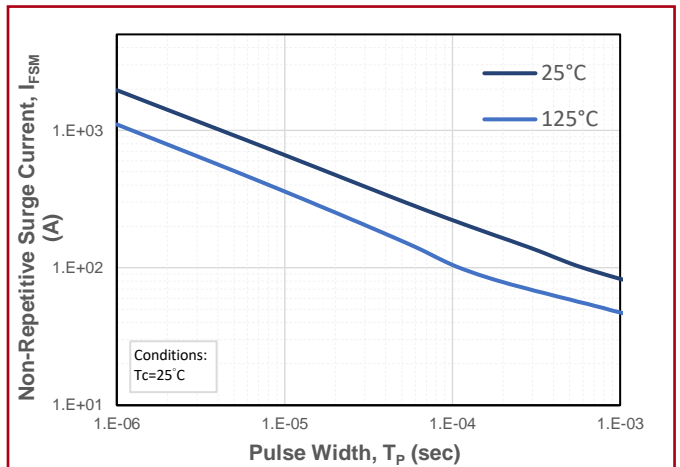


Fig.6 Non-Repetitive Peak Forward Surge Current (Pulse Mode)

Typical Device Performance

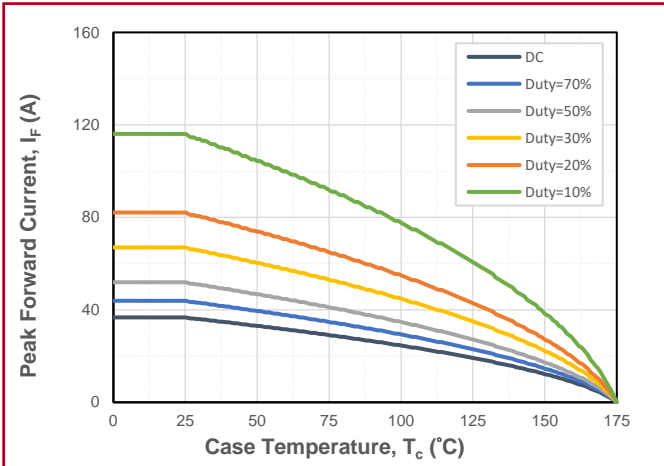


Fig.7 Maximum Forward Current Derating vs. Case Temperature

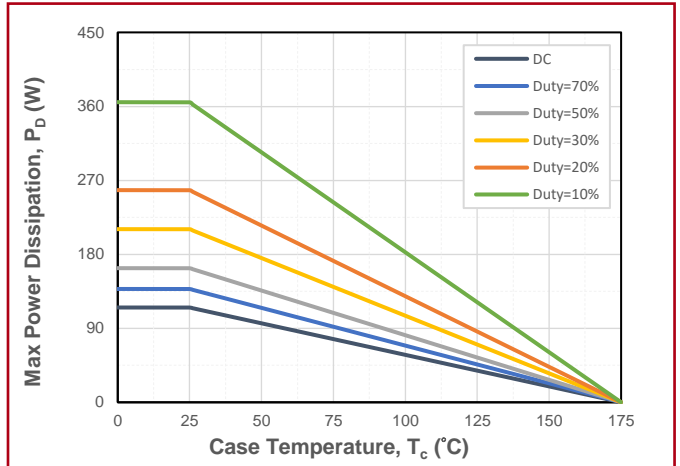


Fig.8 Maximum Power Dissipation Derating vs. Case Temperature

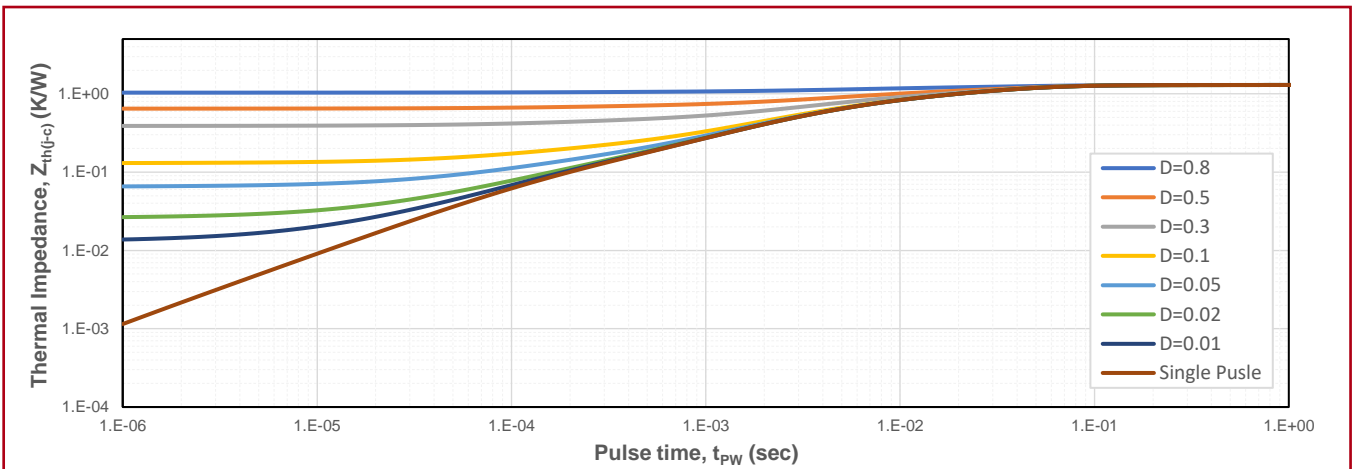
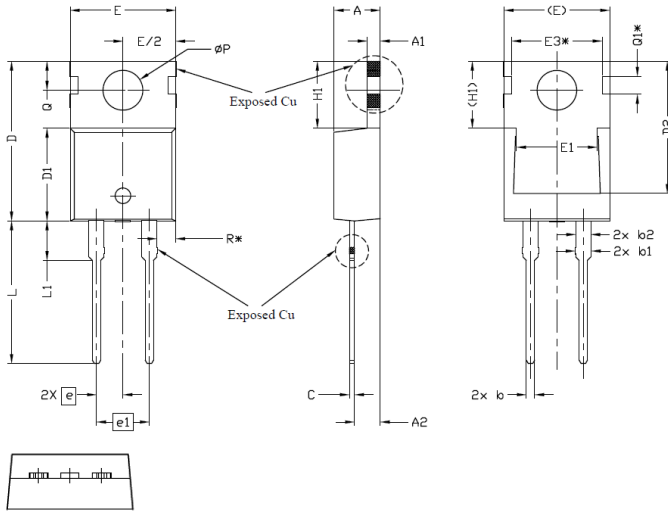


Fig.9 Transient Junction to Case Thermal Impedance

The information provided herein is subject to change without notice.

Package Dimensions (TO-220-2L)

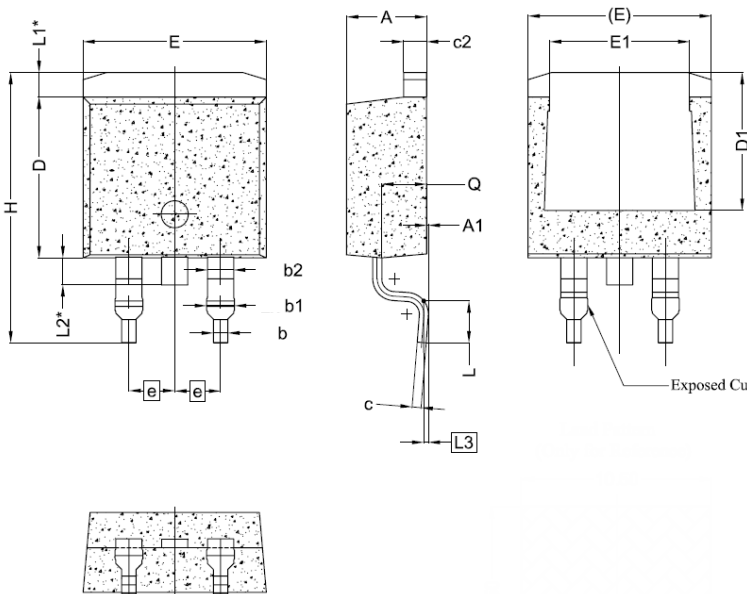


Note:

1. Package Reference: JEDEC TO220, Variation AB.
2. All Dimensions Are In mm.
3. Slot Required, Notch May Be Rounded
4. Dimension D & E Do Not Include Mold Flash. Mold Flash Shall Not Exceed 0.127mm Pre Side. These Dimensions Are Measured At The Outermost Extreme Of The Plastic Body.
5. Thermal Pad Contour Optional Within Dimensions E, H1, D2 & E1.
6. Dimension E2 & H1 Define A Zone Where Stamping And Singulation Irregularities Are Allowed.
7. "*" is reference .

Symbol	mm		
	Min.	Typ.	Max.
A	4.24	4.44	4.64
A1	1.15	1.27	1.40
A2	2.30	2.48	2.70
b	0.70	0.80	0.90
b1	1.20	1.55	1.75
b2	1.20	1.45	1.70
c	0.40	0.50	0.60
D	14.70	15.37	16.00
D1	8.82	8.92	9.02
D2	12.63	12.73	12.83
E	9.96	10.16	10.36
E1	6.86	7.77	8.89
E3*	8.70 REF		
e	2.54 BSC		
e1	5.08 BSC		
H1	6.30	6.45	6.60
L	13.47	13.72	13.97
L1	3.60	3.80	4.00
phi P	3.75	3.84	3.93
Q	2.60	2.80	3.00
Q1*	1.73 REF		
R*	1.82 REF		

Package Dimensions (TO-263-2L, TO-263-2L-1NC)



Symbol	mm		
	Min.	Typ.	Max.
A	4.24	4.44	4.64
A1	0.00	0.10	0.25
b	0.70	0.80	0.90
b1	1.20	1.55	1.75
b2	1.20	1.45	1.70
c	0.40	0.50	0.60
c2	1.15	1.27	1.40
D	8.82	8.92	9.02
D1	6.86	7.65	---
E	9.96	10.16	10.36
E1	6.89	7.77	7.89
e	2.54 BSC		
e1	5.08 BSC		
H	14.61	15.00	15.88
L	1.78	2.32	2.79
L1	1.36 REF		
L2	0.00 REF (TO-263-2L) 1.50 REF (TO-263-2L-1NC)		
L3	0.25 BSC		
Q	2.30	2.48	2.70

Note:

1. All Dimensions Are In mm.
2. Dimension D & E Do Not Include Mold Flash. Mold Flash Shall Not Exceed 0.127mm Pre Side. These Dimensions Are Measured At The Outermost Extreme Of The Plastic Body.
3. Thermal Pad Contour Optional Within Dimensions E, L1, D1 & E1.
4. Dimension D1 & E1 Establish A Minnum Mounting Surface for The Thermal Pad.
5. "*" is reference .