

Product Summary

V_R	1200V
$I_{F(135/158^\circ\text{C})}$	8.5A/5A
Q_C	23nC

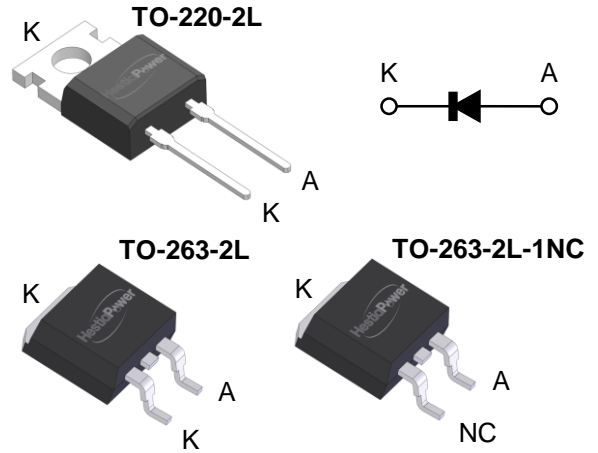


H3S120A005 H3S120T005, H3S120U005

Features

- Low Conduction and Switching Loss
- Zero Reverse Recovery
- Temperature Independent Switching Behavior
- Positive Temperature Coefficient Device
- High Surge Current Capability
- RoHS Compliant and Halogen Free
- Optimized for High Power Application

Circuit Diagram



Part Number	Package	Marking
H3S120A005	TO-220-2L	H3S120A005
H3S120T005	TO-263-2L	H3S120T005
H3S120U005	TO-263-2L-1NC	H3S120U005

Benefits

- Higher System Efficiency
- Increase Parallel Device Convenience
- Enable High Temperature Application
- Allow High Frequency Operation
- Realize Compact and Lightweight Systems
- High Reliability

Applications

- Switching Mode Power Supply
- PFC
- UPS
- Motor Drives
- Flywheel diode in Power Inverters
- Solar/Wind Renewable Energy

Absolute Maximum Ratings ($T_C = 25^\circ\text{C}$ unless otherwise specified)

Parameter	Symbol	Test Conditions	Value	Unit
Peak Repetitive Reverse Voltage	V_{RRM}	$I_R = 100 \mu\text{A}$	1200	V
Peak Reverse Surge Voltage	V_{RSM}	$T_J = 25^\circ\text{C}$	1200	V
DC Blocking Voltage	V_R	$T_J = 25^\circ\text{C}$	1200	V
Continuous Forward Current	I_F	$T_C = 25^\circ\text{C}$	17.8	A
		$T_C = 135^\circ\text{C}$	8.5	
		$T_C = 158^\circ\text{C}$	5	
Non-Repetitive Peak Forward Surge Current	I_{FSM}	$T_C = 25^\circ\text{C}, T_p = 10 \text{ ms}, \text{Half Sine Wave}$	62	A
		$T_C = 125^\circ\text{C}, T_p = 10 \text{ ms}, \text{Half Sine Wave}$	60	
		$T_C = 25^\circ\text{C}, T_p = 10 \mu\text{s}, \text{Pulse}$	554	
Repetitive Peak Forward Surge Current	I_{FRM}	$T_C = 25^\circ\text{C}, T_p = 10 \text{ ms}$ Half Sine Wave, $D = 0.1$	54	A
		$T_C = 125^\circ\text{C}, T_p = 10 \text{ ms}$ Half Sine Wave, $D = 0.1$	47	
Power Dissipation	P_D	$T_C = 25^\circ\text{C}$	94	W
		$T_C = 125^\circ\text{C}$	31	
I^2t value	$\int i^2 dt$	$T_C = 25^\circ\text{C}, T_p = 10 \text{ ms}$	19	A^2s
Junction & Storage Temperature	T_J, T_{stg}		-55 to 175	$^\circ\text{C}$
Soldering Temperature	T_L		260	
Mounting Torque	M_D	M3 or 6-32 screw	1.0	Nm

Electrical Characteristics (T_c = 25°C unless otherwise specified)

Parameter	Symbol	Test Conditions	Min.	Typ.	Max.	Unit
DC Blocking Voltage	V _{DC}	I _R = 100 μA, T _J = 25°C	> 1200			V
Forward Voltage	V _F	I _F = 5A, T _J = 25°C		1.48	1.8	V
		I _F = 5A, T _J = 175°C		2.1	2.4	V
Reverse Current	I _R	V _R = 1200V, T _J = 25°C		2.5	100	μA
		V _R = 1200V, T _J = 175°C		15	500	μA
Total Capacitive Charge	Q _C	V _R = 800V, T _J = 25°C		23		nC
Total Capacitance	C _J	V _R = 0.1V, T _J = 25°C, f = 1 MHz		358		
		V _R = 400V, T _J = 25°C, f = 1 MHz		27		pF
		V _R = 800V, T _J = 25°C, f = 1 MHz		20		
Capacitance Stored Energy	E _C	V _R = 800V		9		μJ

Thermal Resistance

Parameter	Symbol	Min.	Typ.	Max.	Unit
Thermal Resistance, Junction to Case	R _{θ,JC}		1.6		°C/W
Thermal Resistance, Junction to Ambient	R _{θ,JA}				°C/W

Naming Rule

H3 S 120 A 005

Generation

H3 = Gen 3rd Discrete

Device Type

S = JBS diode (High Power) D = JBS diode (High Speed)

Breakdown Voltage

065 = 650V 120 = 1200V 170 = 1700V

Package Type

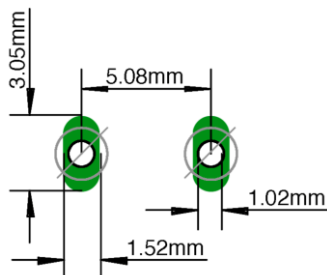
A = TO-220-2L T = TO-263-2L U = TO-263-2L-1NC

Typical Current Rating

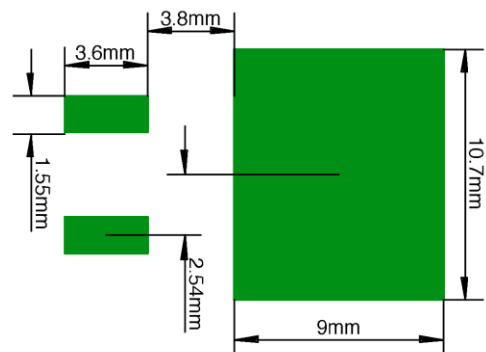
002 = 2A 005 = 5A 008 = 8A 010 = 10A 020 = 20A

Recommended Solder Pad Layout

TO-220-2L



TO-263-2L, TO-263-2L-1NC



Typical Device Performance

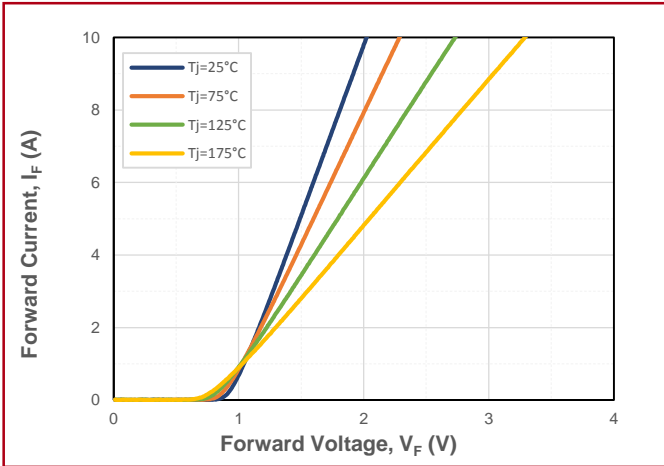


Fig.1 Forward Characteristics

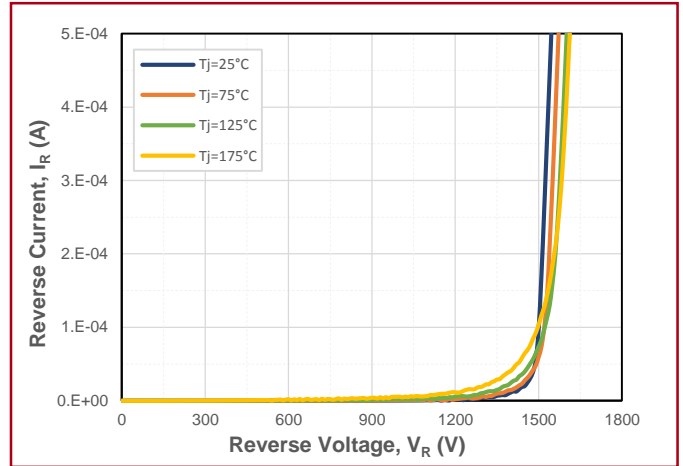


Fig.2 Reverse Characteristics

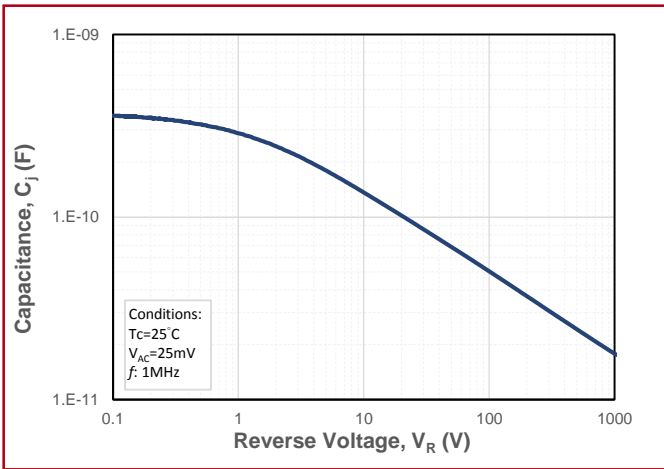


Fig.3 Junction Capacitance vs. Reverse Voltage

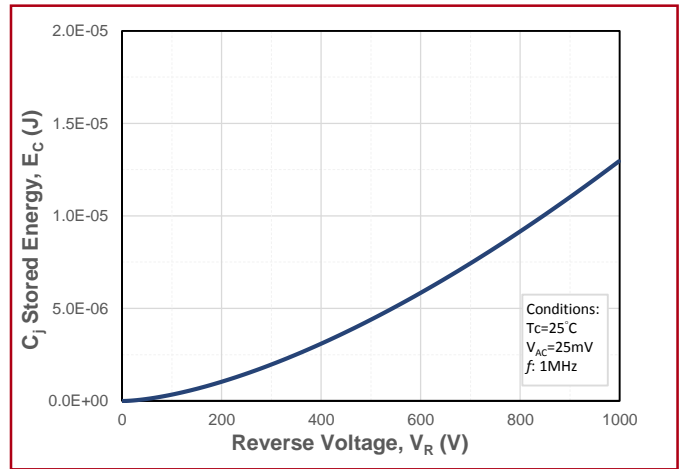


Fig.4 Capacitance Stored Energy

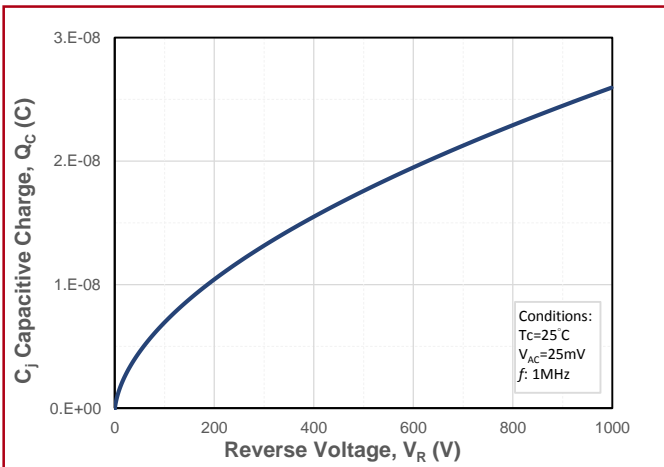


Fig.5 Recovery Charge vs. Reverse Voltage

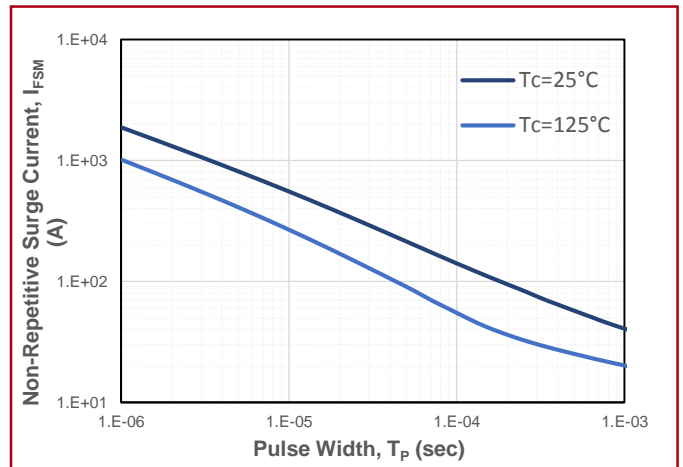


Fig.6 Non-Repetitive Peak Forward Surge Current (Pulse Mode)

Typical Device Performance

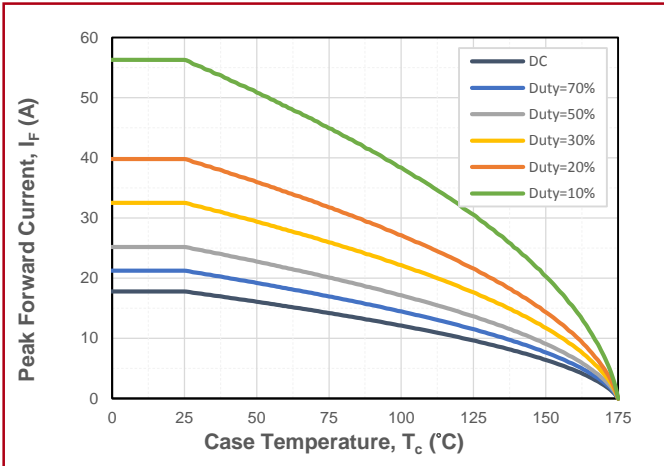


Fig.7 Maximum Forward Current Derating vs. Case Temperature

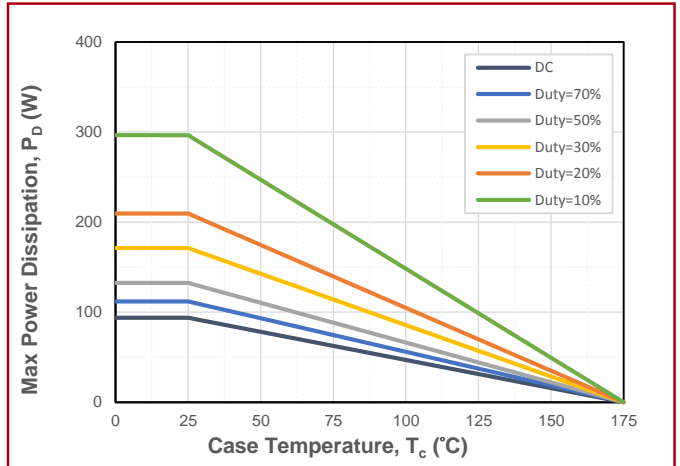


Fig.8 Maximum Power Dissipation Derating vs. Case Temperature

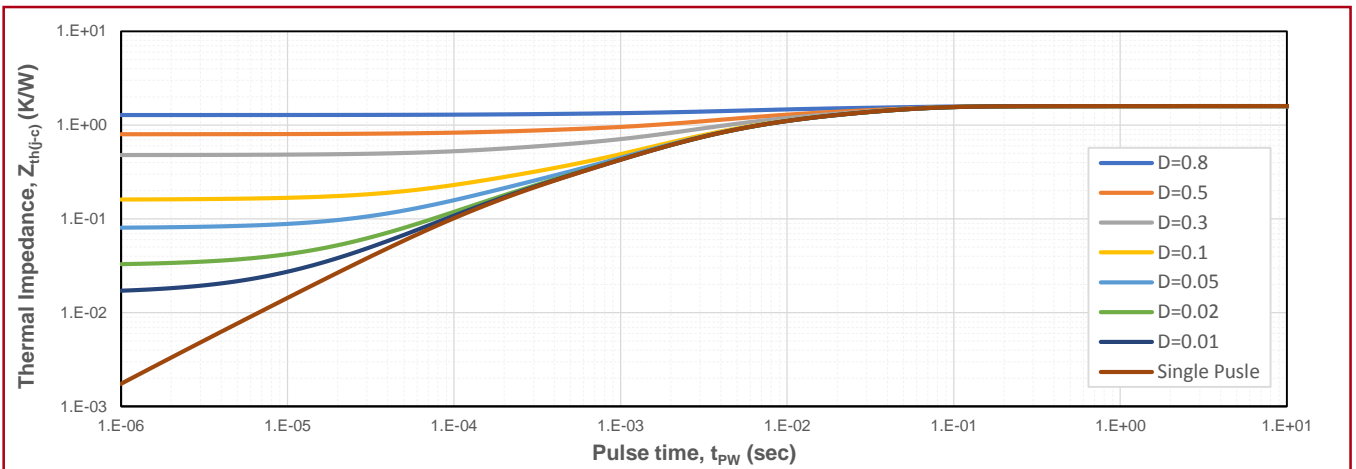
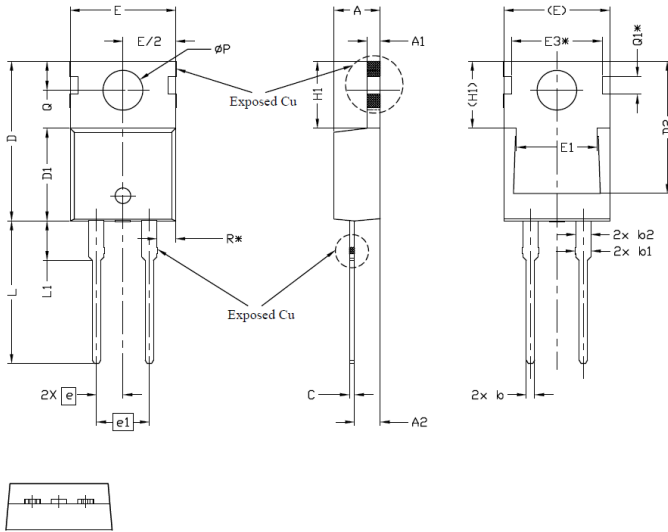


Fig.9 Transient Junction to Case Thermal Impedance

The information provided herein is subject to change without notice.

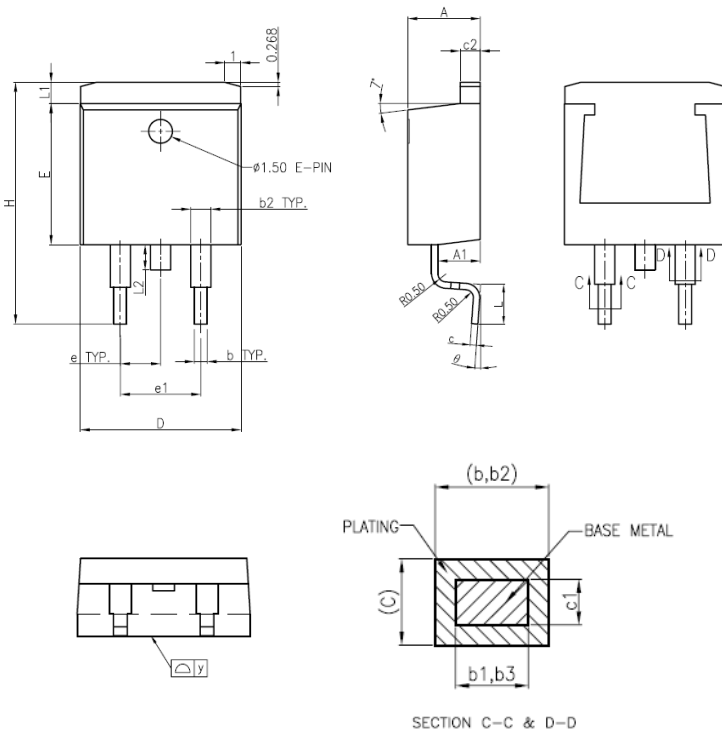
Package Dimensions (TO-220-2L)



- Note:
1. Package Reference: JEDEC TO220, Variation AB.
 2. All Dimensions Are In mm.
 3. Slot Required, Notch May Be Rounded
 4. Dimension D & E Do Not Include Mold Flash. Mold Flash Shall Not Exceed 0.127mm Pre Side. These Dimensions Are Measured At The Outermost Extreme Of The Plastic Body.
 5. Thermal Pad Contour Optional Within Dimensions E, H1, D2 & E1.
 6. Dimension E2 & H1 Define A Zone Where Stamping And Singulation Irregularities Are Allowed.
 7. "*" is reference.

Symbol	mm		
	Min.	Typ.	Max.
A	4.24	4.44	4.64
A1	1.15	1.27	1.40
A2	2.30	2.48	2.70
b	0.70	0.80	0.90
b1	1.20	1.55	1.75
b2	1.20	1.45	1.70
c	0.40	0.50	0.60
D	14.70	15.37	16.00
D1	8.82	8.92	9.02
D2	12.63	12.73	12.83
E	9.96	10.16	10.36
E1	6.86	7.77	8.89
E3*	8.70 REF.		
e	2.54 BSC		
e1	5.08 BSC		
H1	6.30	6.45	6.60
L	13.47	13.72	13.97
L1	3.60	3.80	4.00
φP	3.75	3.84	3.93
Q	2.60	2.80	3.00
Q1*	1.73 REF.		
R*	1.82 REF.		

Package Dimensions (TO-263-2L, TO-263-2L-1NC)



Symbol	mm		
	Min.	Typ.	Max.
A	4.47	-	4.67
A1	2.52	-	2.82
b	0.71	0.81	0.91
b1	0.71	-	0.91
b2	1.17	1.27	1.37
b3	1.17	-	1.37
c	0.279	-	0.483
c1	0.279	0.38	0.432
c2	1.17	-	1.37
D	10.01	-	10.31
E	8.76	8.89	9.02
E1	10.40	10.55	10.66
e	2.54 BSC		
e1	4.98	-	5.18
H	15.00	-	15.85
L	2.29	2.54	2.79
L1	1.27	-	1.40
L2	1.30	-	1.75
y	0	-	0.08
θ	0°	-	8°