

Product Summary

V_R	1200V
$I_{F(135/154^\circ\text{C})}$	15A/10A
Q_C	56nC



H3S120A010, H3S120T010, H3S120U010

Features

- Low Conduction and Switching Loss
- Zero Reverse Recovery
- Temperature Independent Switching Behavior
- Positive Temperature Coefficient Device
- High Surge Current Capability
- RoHS Compliant and Halogen Free
- Optimized for High Power Application

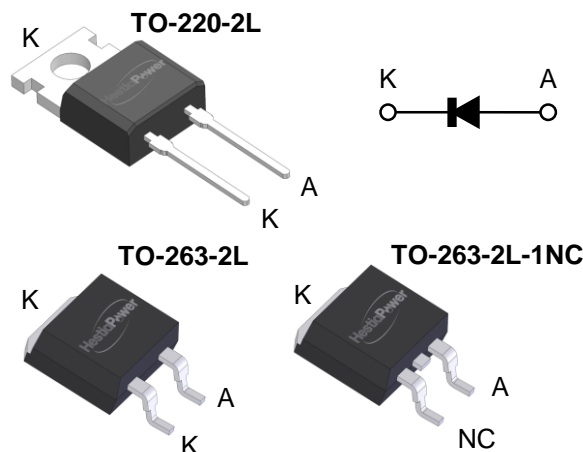
Benefits

- Higher System Efficiency
- Increase Parallel Device Convenience
- Enable High Temperature Application
- Allow High Frequency Operation
- Realize Compact and Lightweight Systems
- High Reliability

Applications

- Switching Mode Power Supply
- PFC
- UPS
- Motor Drives
- Flywheel diode in Power Inverters
- Solar/Wind Renewable Energy

Circuit Diagram



Part Number	Package	Marking
H3S120A010	TO-220-2L	H3S120A010
H3S120T010	TO-263-2L	H3S120T010
H3S120U010	TO-263-2L-1NC	H3S120U010

Absolute Maximum Ratings ($T_C = 25^\circ\text{C}$ unless otherwise specified)

Parameter	Symbol	Test Conditions	Value	Unit
Peak Repetitive Reverse Voltage	V_{RRM}	$T_J = 25^\circ\text{C}$	1200	V
Peak Reverse Surge Voltage	V_{RSM}	$T_J = 25^\circ\text{C}$	1200	V
DC Blocking Voltage	V_R	$T_J = 25^\circ\text{C}$	1200	V
Continuous Forward Current	I_F	$T_C = 25^\circ\text{C}$	32	A
		$T_C = 135^\circ\text{C}$	15	
		$T_C = 154^\circ\text{C}$	10	
Non-Repetitive Peak Forward Surge Current	I_{FSM}	$T_C = 25^\circ\text{C}$, $T_p = 10$ ms, Half Sine Wave	116	A
		$T_C = 125^\circ\text{C}$, $T_p = 10$ ms, Half Sine Wave	110	
		$T_C = 25^\circ\text{C}$, $T_p = 10$ μs , Pulse	748	
Repetitive Peak Forward Surge Current	I_{FRM}	$T_C = 25^\circ\text{C}$, $T_p = 10$ ms Half Sine Wave, $D = 0.1$	89	A
		$T_C = 125^\circ\text{C}$, $T_p = 10$ ms Half Sine Wave, $D = 0.1$	82	
Power Dissipation	P_D	$T_C = 25^\circ\text{C}$	136	W
		$T_C = 125^\circ\text{C}$	45.5	
I^2t value	$\int i^2 dt$	$T_C = 25^\circ\text{C}$, $T_p = 10$ ms	67	A^2s
Junction & Storage Temperature	T_J, T_{stg}		-55 to 175	$^\circ\text{C}$
Soldering Temperature	T_L		260	
Mounting Torque	M_D	M3 or 6-32 screw	1.0	Nm

Electrical Characteristics (T_c = 25°C unless otherwise specified)

Parameter	Symbol	Test Conditions	Min.	Typ.	Max.	Unit
DC Blocking Voltage	V _{DC}	I _R = 100 μA, T _J = 25°C	> 1200			V
Forward Voltage	V _F	I _F = 10A, T _J = 25°C		1.44	1.7	V
		I _F = 10A, T _J = 175°C		1.9	2.2	V
Reverse Current	I _R	V _R = 1200V, T _J = 25°C		5	200	μA
		V _R = 1200V, T _J = 175°C		30	1000	μA
Total Capacitive Charge	Q _C	V _R = 800V, T _J = 25°C		56		nC
Total Capacitance	C _J	V _R = 0.1V, T _J = 25°C, f = 1 MHz		845		
		V _R = 400V, T _J = 25°C, f = 1 MHz		59		pF
		V _R = 800V, T _J = 25°C, f = 1 MHz		43		
Capacitance Stored Energy	E _C	V _R = 800V		22		μJ

Thermal Resistance

Parameter	Symbol	Min.	Typ.	Max.	Unit
Thermal Resistance, Junction to Case	R _{θJC}		1.1		°C/W
Thermal Resistance, Junction to Ambient	R _{θJA}				°C/W

Naming Rule

H3 S 120 A 010

Generation

H3 = 3rd Gen Discrete

Device Type

S = JBS diode (High Power) D = JBS diode (High Speed)

Breakdown Voltage

065 = 650V 120 = 1200V 170 = 1700V

Package Type

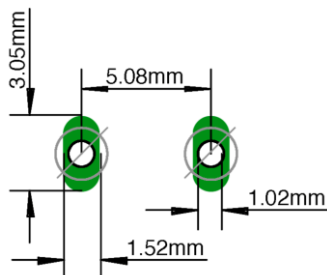
A = TO-220-2L T = TO-263-2L U = TO-263-2L-1NC

Typical Current Rating

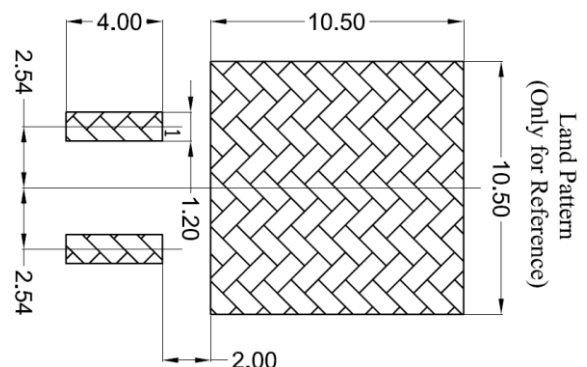
002 = 2A 005 = 5A 008 = 8A 010 = 10A 012 = 12A 020 = 20A

Recommended Solder Pad Layout

TO-220-2L



TO-263-2L, TO-263-2L-1NC



Typical Device Performance

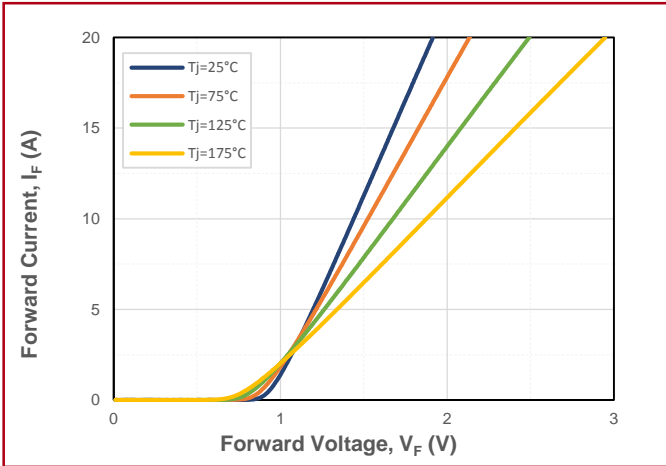


Fig.1 Forward Characteristics

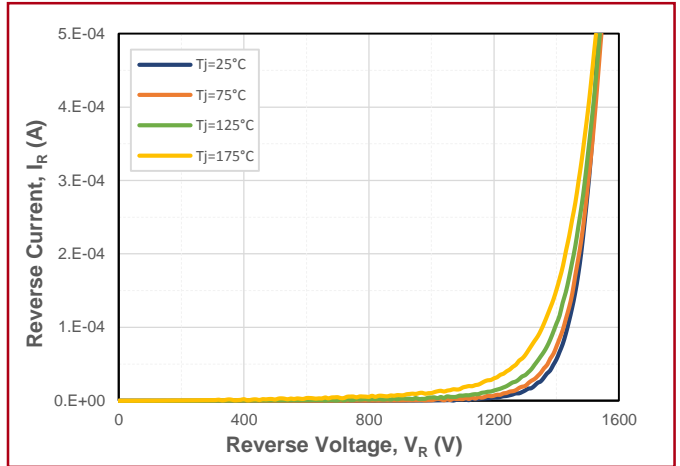


Fig.2 Reverse Characteristics

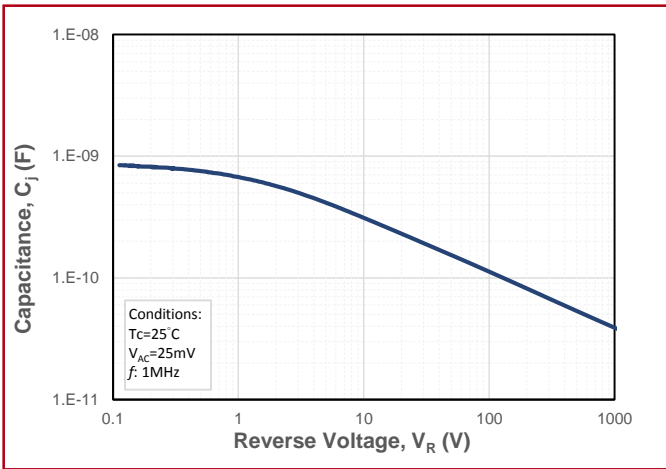


Fig.3 Junction Capacitance vs. Reverse Voltage

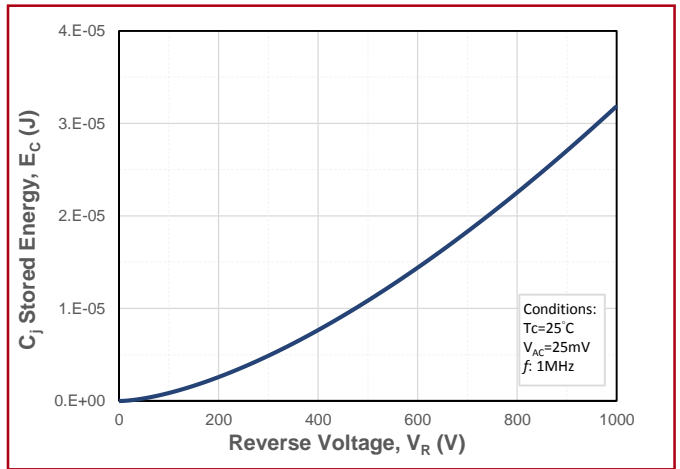


Fig.4 Capacitance Stored Energy

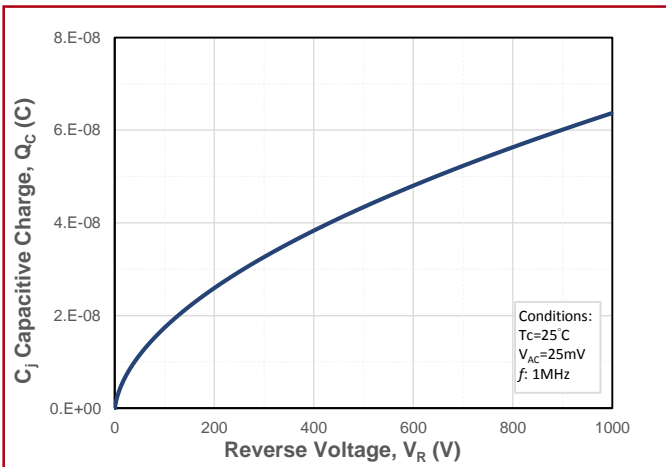


Fig.5 Recovery Charge vs. Reverse Voltage

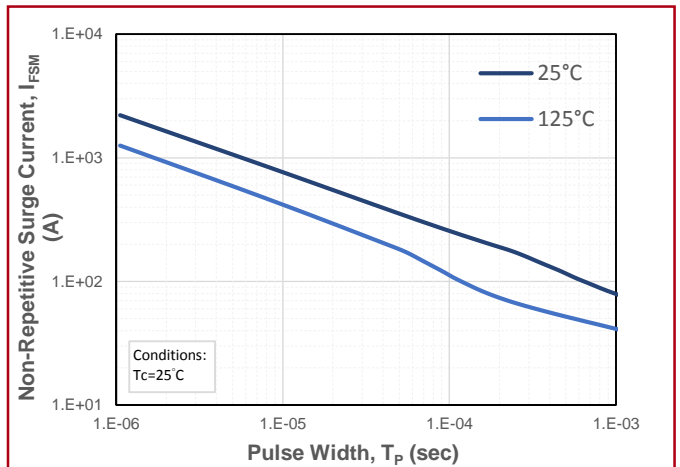


Fig.6 Non-Repetitive Peak Forward Surge Current (Pulse Mode)

Typical Device Performance

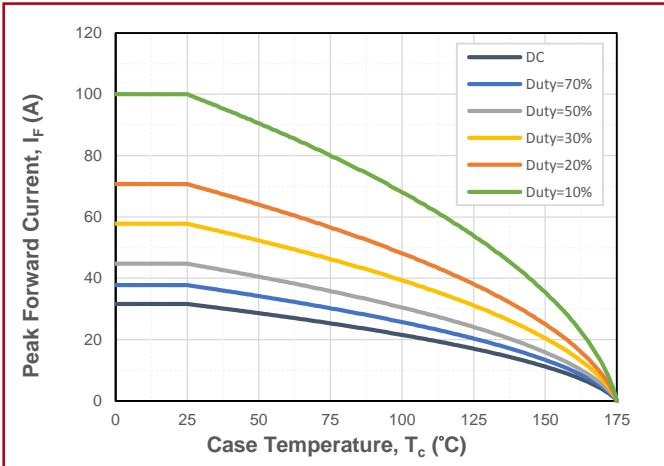


Fig.7 Maximum Forward Current Derating vs. Case Temperature

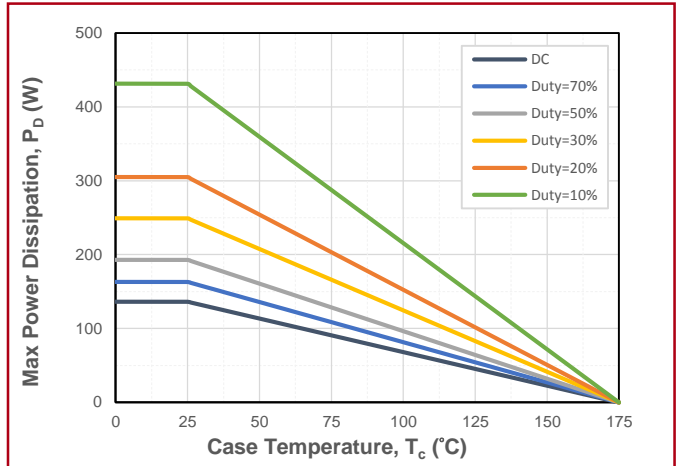


Fig.8 Maximum Power Dissipation Derating vs. Case Temperature

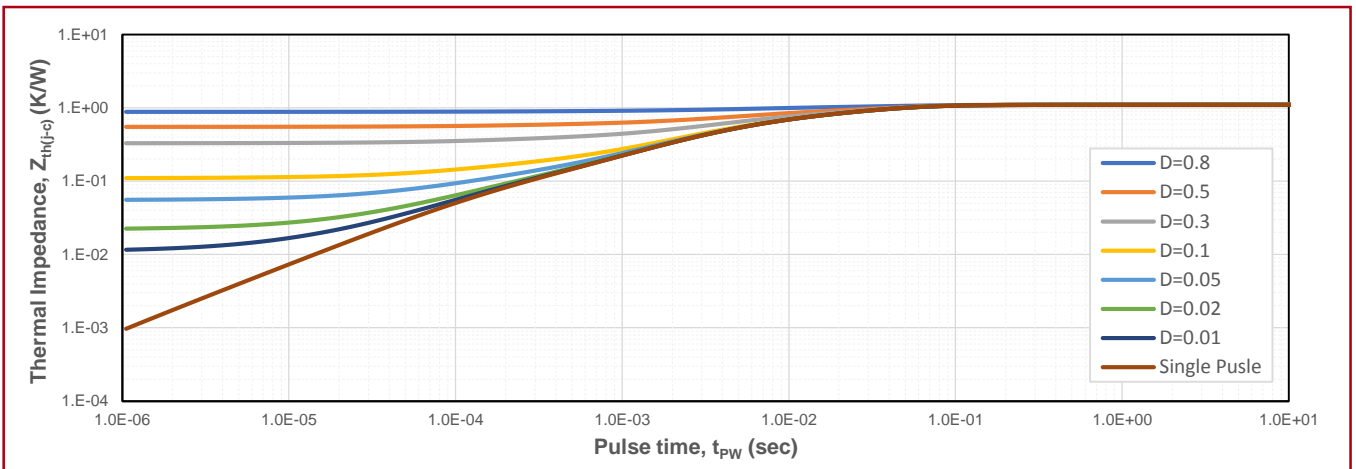
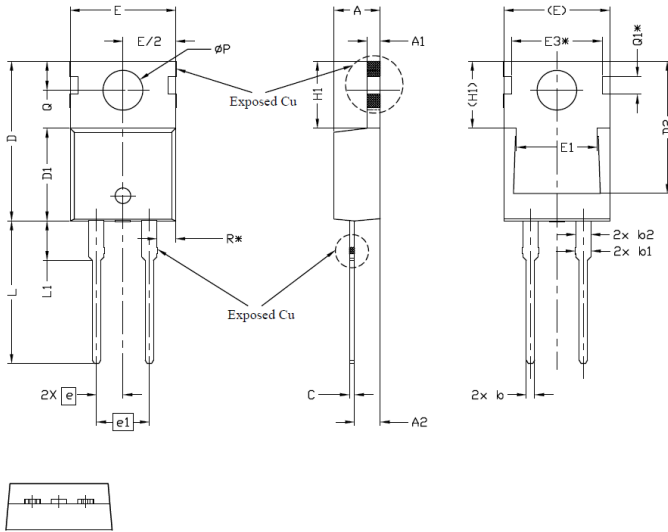


Fig.9 Transient Junction to Case Thermal Impedance

The information provided herein is subject to change without notice.

Package Dimensions (TO-220-2L)

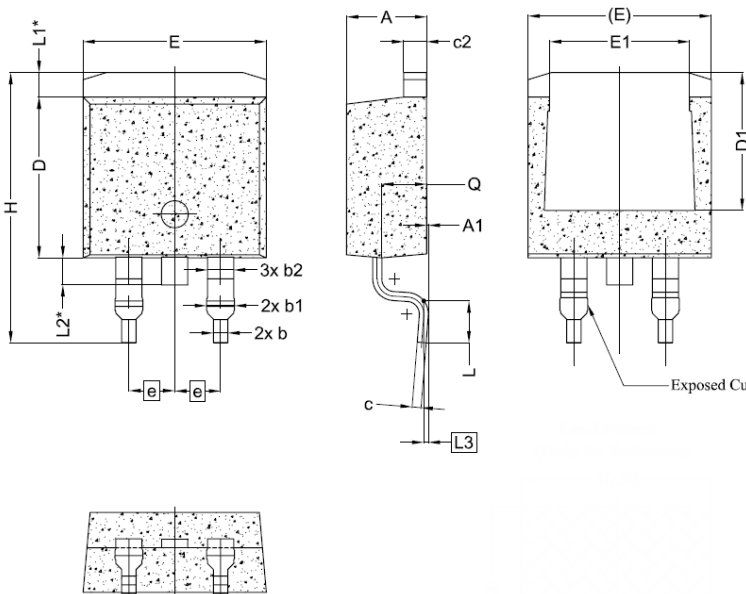


Note:

1. Package Reference: JEDEC TO220, Variation AB.
2. All Dimensions Are In mm.
3. Slot Required, Notch May Be Rounded
4. Dimension D & E Do Not Include Mold Flash. Mold Flash Shall Not Exceed 0.127mm Pre Side. These Dimensions Are Measured At The Outermost Extreme Of The Plastic Body.
5. Thermal Pad Contour Optional Within Dimensions E, H1, D2 & E1.
6. Dimension E2 & H1 Define A Zone Where Stamping And Singulation Irregularities Are Allowed.
7. "*" is reference.

Symbol	mm		
	Min.	Typ.	Max.
A	4.24	4.44	4.64
A1	1.15	1.27	1.40
A2	2.30	2.48	2.70
b	0.70	0.80	0.90
b1	1.20	1.55	1.75
b2	1.20	1.45	1.70
c	0.40	0.50	0.60
D	14.70	15.37	16.00
D1	8.82	8.92	9.02
D2	12.63	12.73	12.83
E	9.96	10.16	10.36
E1	6.86	7.77	8.89
E3*	8.70 REF.		
e	2.54 BSC		
e1	5.08 BSC		
H1	6.30	6.45	6.60
L	13.47	13.72	13.97
L1	3.60	3.80	4.00
phi P	3.75	3.84	3.93
Q	2.60	2.80	3.00
Q1*	1.73 REF.		
R*	1.82 REF.		

Package Dimensions (TO-263-2L, TO-263-2L-1NC)



Symbol	mm		
	Min.	Typ.	Max.
A	4.24	4.44	4.64
A1	0.00	0.10	0.25
b	0.70	0.80	0.90
b1	1.20	1.55	1.75
b2	1.20	1.45	1.70
c	0.40	0.50	0.60
c2	1.15	1.27	1.40
D	8.82	8.92	9.02
D1	6.86	7.65	---
E	9.96	10.16	10.36
E1	6.89	7.77	7.89
e	2.54 BSC		
e1	5.08 BSC		
H	14.61	15.00	15.88
L	1.78	2.32	2.79
L1	1.36 REF.		
L2	0.00 REF. (TO-263-2L) 1.50 REF. (TO-263-2L-1NC)		
L3	0.25 BSC		
Q	2.30	2.48	2.70

Note:

1. All Dimensions Are In mm.
2. Dimension D & E Do Not Include Mold Flash. Mold Flash Shall Not Exceed 0.127mm Pre Side. These Dimensions Are Measured At The Outermost Extreme Of The Plastic Body.
3. Thermal Pad Contour Optional Within Dimensions E, L1, D1 & E1.
4. Dimension D1 & E1 Establish A Minnum Mounting Surface for The Thermal Pad.
5. "*" is reference.